

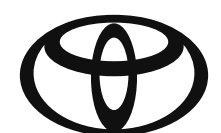
PLEASE  
ROTATE  
YOUR  
PHONE



TOYOTA

*Move your world*

PRESENTING THE  
VELLFIRE & ALPHARD



TOYOTA

*Move your world*



EXPECT THE BEST.  
EXPERIENCE BETTER.

True luxury is experienced, never spoken.

The Toyota Vellfire and Alphard embody resolute perfection and are designed to imbue your every journey with unprecedented levels of refinement.

Actual vehicle may vary from image shown.

THE NEW VELLFIRE.

Exterior .....	05
4 <sup>th</sup> Gen Toyota Hybrid System (THS) .....	07
Performance .....	08
Interior .....	10
Colour .....	13
Specifications .....	14

THE ALPHARD.

Exterior .....	18
Interior .....	21
Performance .....	25
Colour .....	26
Specifications .....	27

TOYOTA SAFETY SENSE. ....	29
---------------------------	----

TOYOTA EXTRA MILE. ....	33
-------------------------	----



EXTERIOR

THE NEW TOYOTA VELLFIRE.

Look into the face of bold beauty. The Vellfire's jet-black plating delivers an aggressive exterior styling while its striking front grille adorned with chrome ornamentation exudes a commanding aura on the road.

Actual vehicle may vary from image shown.

HYBRID ELECTRIC  
VELLFIRE

THE NEW VELLFIRE.

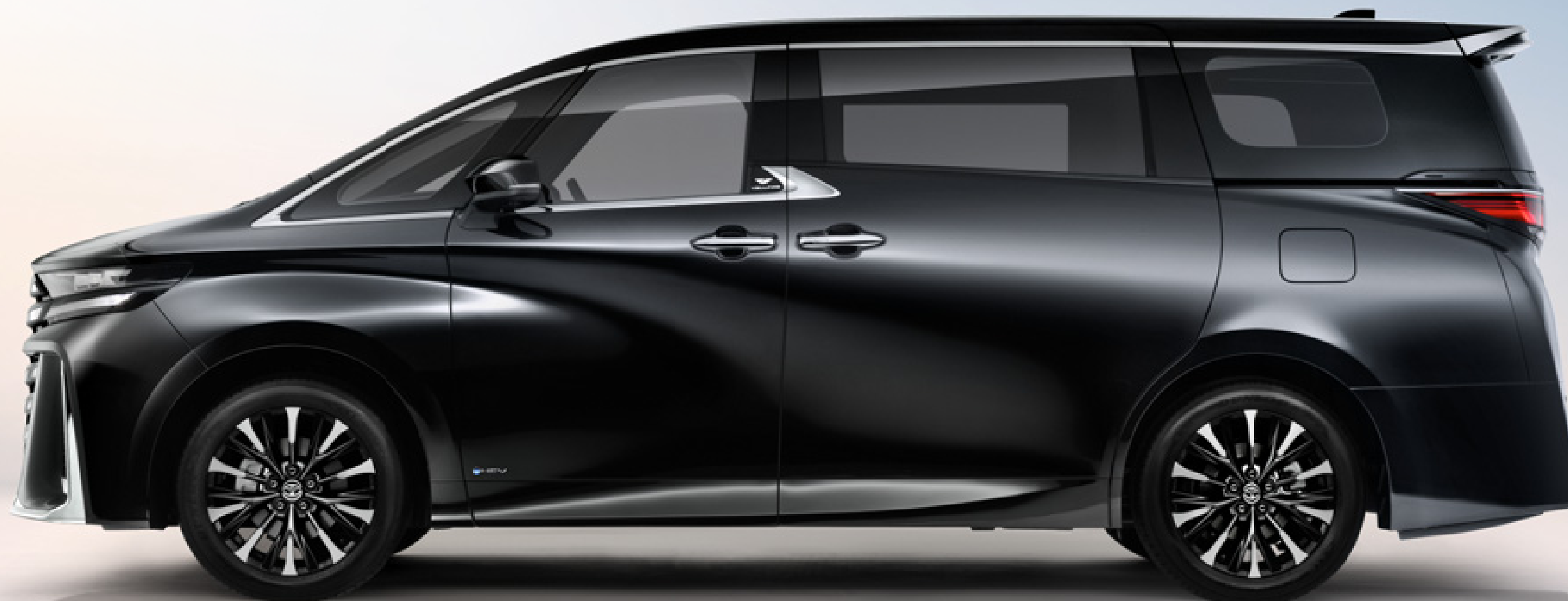
06

EXTERIOR

EXPRESSIVELY BOLD.

EXTRAORDINARILY REFINED.

The Vellfire's distinctive 19" alloy wheels add an exclusive touch to its visual appeal, complete with full LED headlamps with sequential signal lamps, cornering lamps, daytime running lights (DRL), and rear lamps with a powered back door switch.



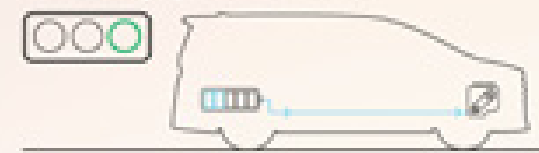
Actual vehicle may vary from image shown.

PERFORMANCE

4<sup>TH</sup> GEN TOYOTA HYBRID SYSTEM (THS).

Our advanced 4th Generation Hybrid System seamlessly blends electric and petrol power, ensuring a responsive and efficient driving experience that keeps you moving forward.

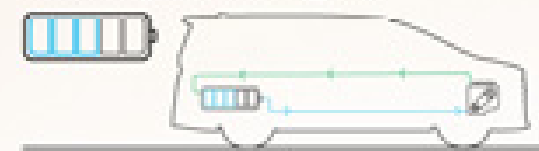
Battery powers car



START/LOW SPEED

Only the motor powers the whole car with electricity from the Hybrid Electric battery.\*

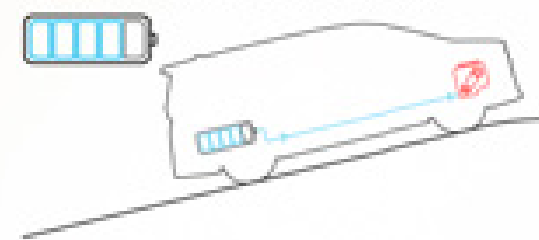
Battery is charged



NORMAL DRIVING

The engine and motor power the car together while the Hybrid Electric battery is charged.

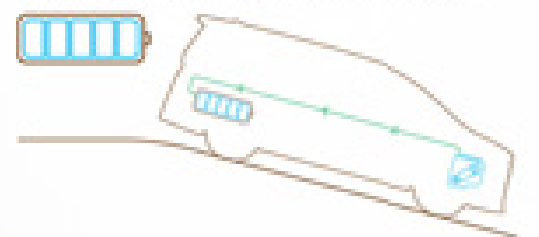
Dual power for quicker acceleration



HARD ACCELERATION

Petrol engine and electric motor provide maximum power together with supplemental electrical power from the HEV battery to the motor.

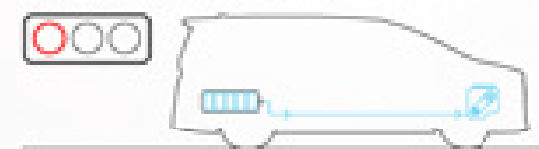
Braking charges battery



BRAKING

The energy that is generated from braking charges the battery.

Engine auto off



STOPPED

The engine goes off to avoid wasting fuel.



\*Toyota Hybrid Electric System will charge the Hybrid Electric battery automatically depending on the driving condition, weather and Hybrid Electric battery state of charge.

PERFORMANCE  
TWO POWERTRAINS  
TO SUIT YOUR DRIVE.

Choose between hybrid or petrol powertrains, both delivering refined power and uncompromising comfort.



2.5L HEV  
A25A-FXS, 2.5L HEV System with  
187PS & 233Nm with a combine  
system output of 250PS.

Actual vehicle may vary from image shown.



2.5L ENGINE  
2AR-FE, 2.5L naturally aspirated engine with  
182PS & 235Nm of Torque.

PERFORMANCE  
ENGINEERED FOR  
UNCOMPROMISED COMFORT.

Built on Toyota's Global Architecture (TNGA) platform and paired with an advanced gearbox for smooth handling, and ride comfort that redefines every journey.

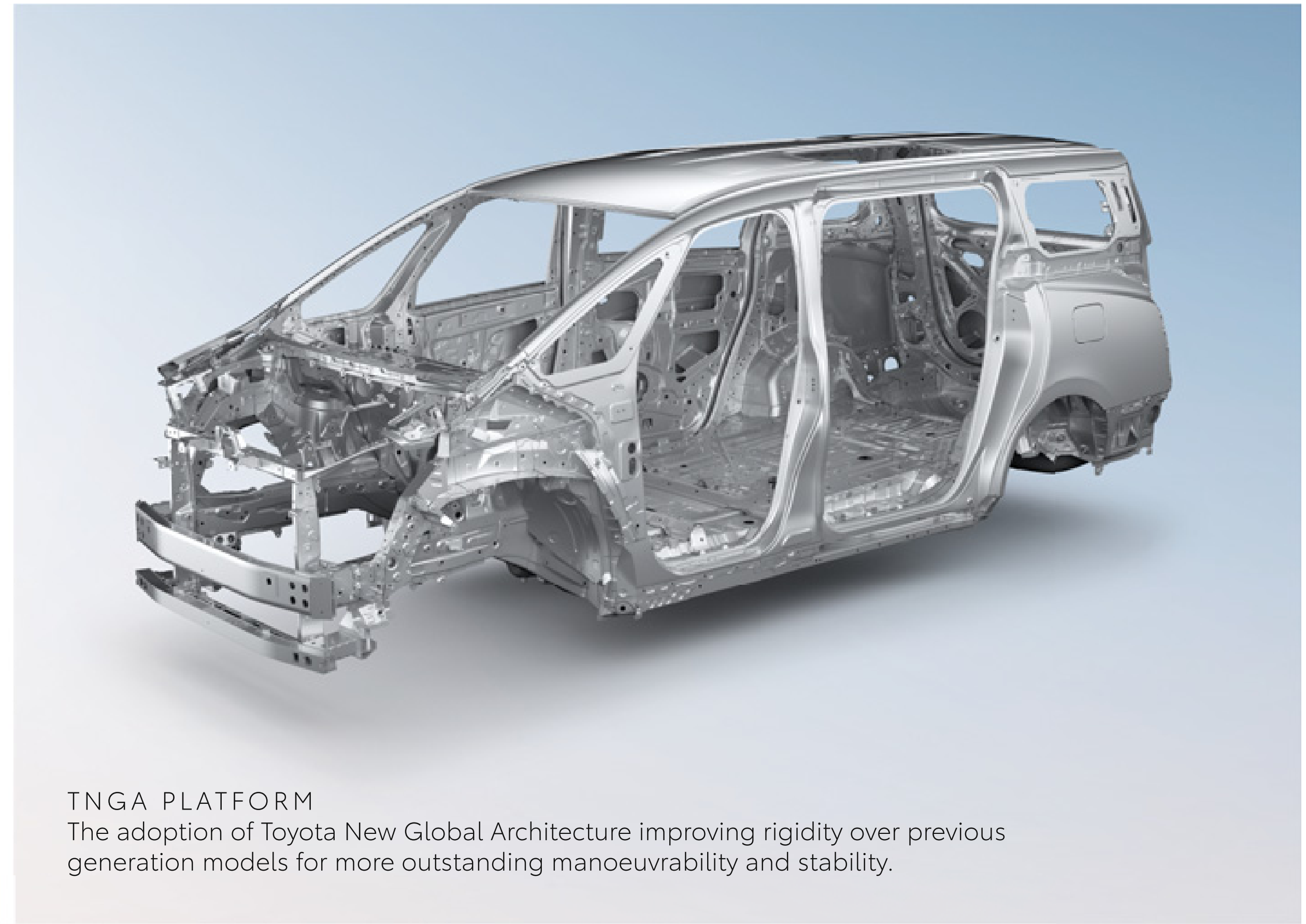


E-CVT TRANSMISSION\*

The E-CVT blends engine and electric power for smooth acceleration, better efficiency, and a refined driving experience.

\*For Vellfire HEV EL only.

Actual vehicle may vary from image shown.



TNGA PLATFORM

The adoption of Toyota New Global Architecture improving rigidity over previous generation models for more outstanding manoeuvrability and stability.

## INTERIOR FORM MEETS FUNCTION .

Seamlessly integrated into the Vellfire's interior, the 14" display audio with navigation provides an intuitive driving experience. Effortlessly navigate your journeys with the user-friendly interface and front and rear driving video recorder for a peace of mind.

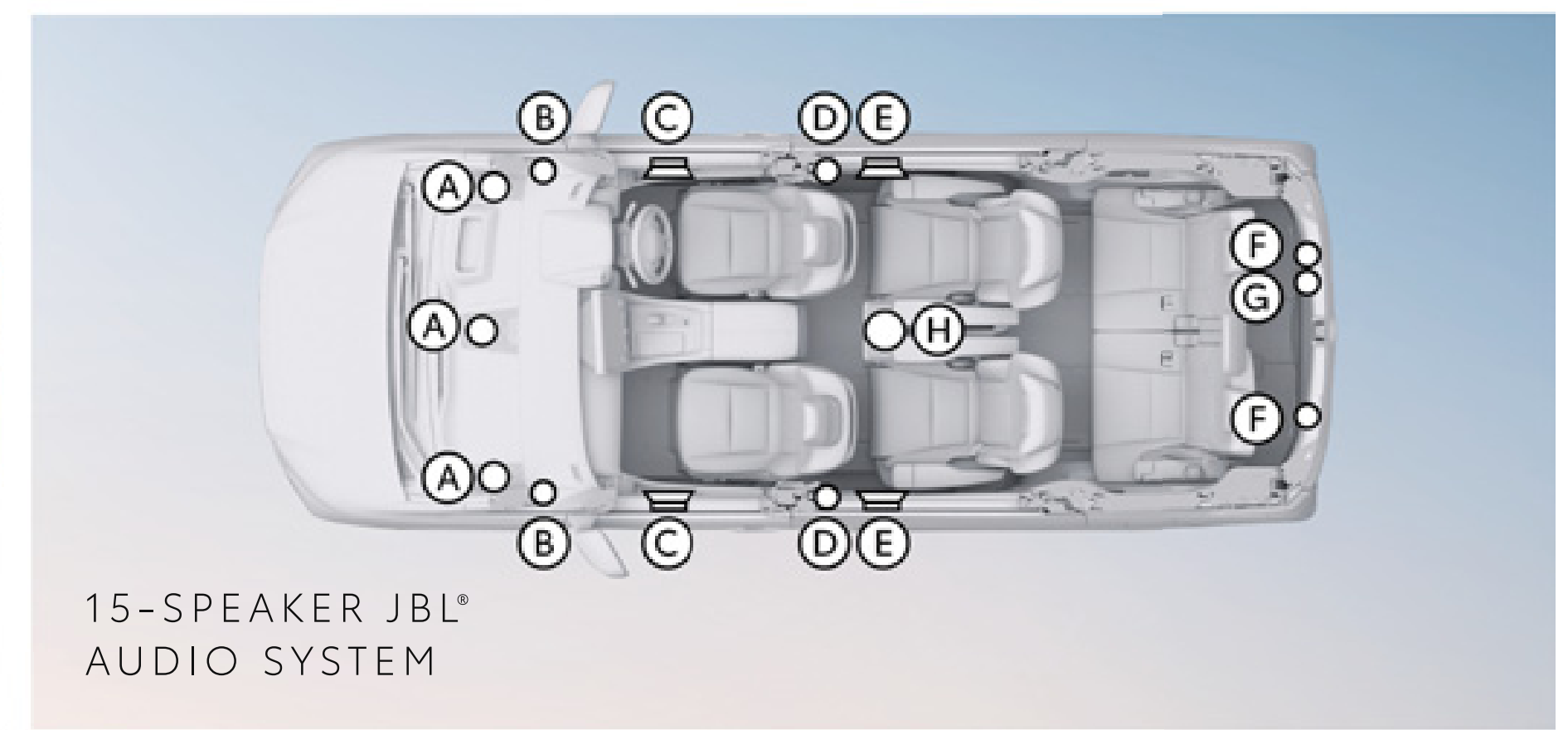
Immerse yourself in the rich experience delivered by the 15-speaker JBL® audio system, tuned to envelope you in sounds of pristine clarity that makes every ride an entertaining one.



Actual vehicle may vary from image shown.



SMART ENTRY AND  
START SYSTEM



15-SPEAKER JBL®  
AUDIO SYSTEM

# INTERIOR PRESTIGE IN EVERY DETAIL.

Experience a sanctuary of refinement, where every seat is a testament to craftsmanship. Draped in premium Sunset Brown Nappa leather with hand-finished stitching, the cabin embodies elegance and meticulous attention to detail.

Designed for your comfort, with massage seats, ventilation, and a rotary table that transforms every journey into a first-class experience that elevates comfort to an art form.

Actual vehicle may vary from image shown.

# INTERIOR TAILORED FOR EVERY MOMENT.

Designed for both productivity and relaxation, the spacious Executive Lounge seat features a retractable table and an intuitive rear control panel, allowing you to tailor every setting to your comfort.



RETRACTABLE ROTARY TABLE  
WITH VANITY MIRROR

Actual vehicle may vary from image shown.



REMOTE CONTROLLERS



PANORAMIC GLASS ROOF



MEMORY SEAT FUNCTION

THE NEW VELLFIRE.

COLOUR  
VELLFIRE  
COLOUR OPTIONS.

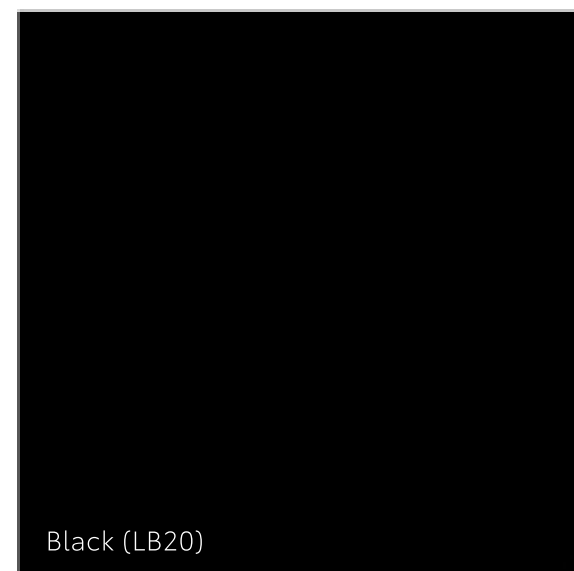


1L5 PRECIOUS METAL

INTERIOR COLOUR OPTIONS



Sunset Brown (LA40)  
Only available for Vellfire HEV



Black (LB20)



202 BLACK



O89 PLATINUM WHITE PEARL MC

Actual vehicle may vary from image shown.

## SPECIFICATIONS.

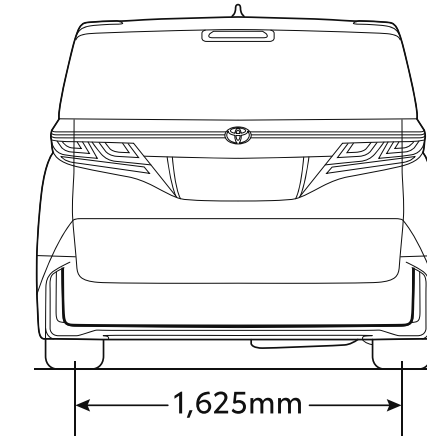
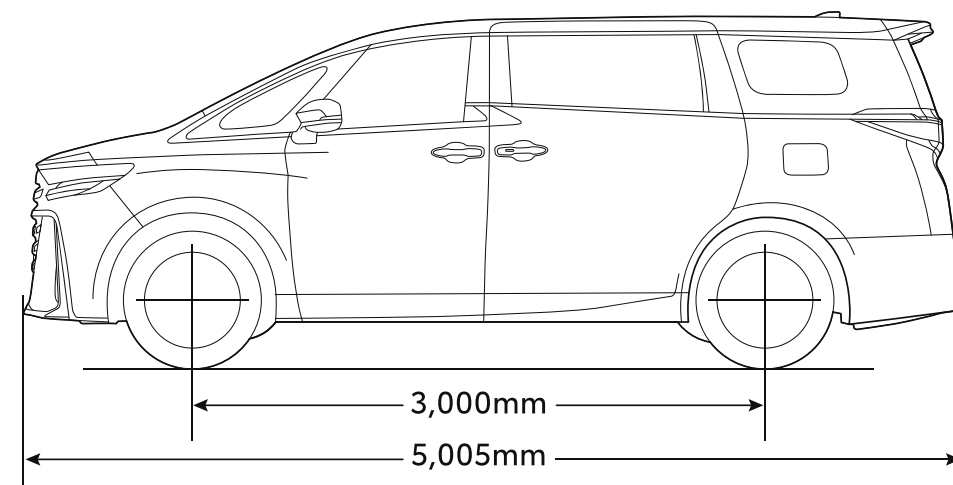
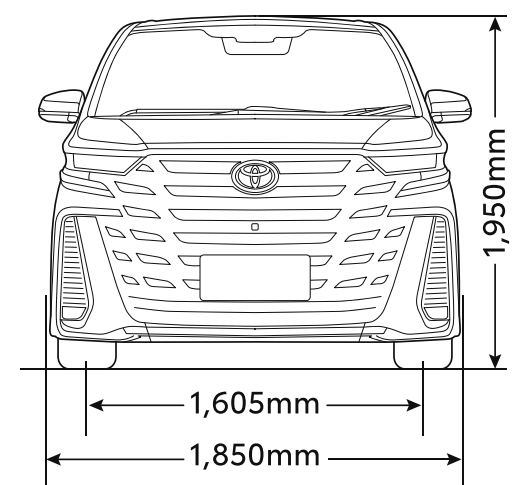
VARIANT			Vellfire 2.5 HEV Executive Lounge	Vellfire 2.5
<b>ENGINE</b>				
Type			Dynamic Force, 4-cylinder In-line, 16-valve VVT- iE	In-line 4, 16-valve, Chain Drive with Dual VVT-i
Displacement	cc		2,487	2,494
Max. Output	kW (PS) / rpm		138 (187) / 6,000	134 (182) / 6,000
Max. Torque	Nm / rpm		233 / 4,300 - 4,500	235 / 4,100
Combine System Output	kW (PS)		184 (250)	-
Fuel System			Sequential Fuel Injection (SFI)	
Drive Mode			With (ECO / NORMAL / EV Mode)	With (ECO / NORMAL)
Fuel Consumption	Combined (L / 100km)		5.7	9.1
CO2 Emissions	Combined (g / km)		129	206
<b>TRANSMISSION</b>				
Type			Electric Continuously Variable Transmission (E-CVT)	7-speed Super CVT-i with Sports Sequential Shiftmatic
<b>MOTOR GENERATOR</b>				
Max. Output	kW (PS)		134 (182)	-
Max. Torque	Nm		270	-
Hybrid Battery Type			Nickel-Metal Hydride Battery	-
<b>CHASSIS</b>				
Suspension	Front / Rear		MacPherson Strut with Stabiliser / Double Wishbone with Stabilizer	
Brakes	Front / Rear		Ventilated Disc / Ventilated Disc	
Steering			Electric Power Steering	
Tyres & Rims			225/55 R19, Alloy	
Spare Tyre			Temporary Tyre (T165/80 D17)	
Front Performance Bracing			With	
<b>DIMENSIONS &amp; WEIGHT</b>				
Overall Dimensions	Length	mm	5,005	
	Width	mm	1,850	
	Height	mm	1,950	
Wheelbase	mm		3,000	
Min. Running Ground Clearance	mm		161	
Fuel Capacity	L		60	75
Kerb Weight	kg		2,105	
Min. Turning Radius	m		5.9	

SPECIFICATIONS .

VARIANT	Vellfire 2.5 HEV Executive Lounge	Vellfire 2.5
<b>EXTERIOR</b>		
Headlamps Type	Tri-LED Headlamps with Cornering Lamps and Daytime Running Lights	
Sequential Turn Signal Lamps	With (Front & Rear)	
Fog Lamps Front / Rear	LED / LED	
Rear Combination Lamps	LED	
Panoramic Glass Roof	With Sunshade	
Power Sliding Door	With Quiet Sliding Door	With
Acoustic Glasses	With Front Quarter Glass, Front Side Glass & Rear Side Glass	Without
Wipers Automatic	With Rain Sensor	
Outside Rear View Mirror	Auto Power Foldable, Memory, Blind Spot Monitoring, Heater and Signal Lamp	
<b>INTERIOR</b>		
Auto Start Stop System	With Hybrid System	Without
Multi-Information Display (MID)	12.3" Full Digital LCD	
Head-up Display (HUD)	With	Without
Audio System Type	14" Display Audio Built-in Navigation with Wireless Apple Carplay® and Wired Android Auto™ Connectivity	
Speakers	15-speakers JBL® Premium Audio	
Air Conditioner 4 Zone Front and Rear	With Both Nanoe™ X	With Front only Nanoe™ X
Steering Wheel Type	Leather & Wood Grain with Heater	
Tilt and Telescopic Adjustable	Power Adjustable with Position Memory Function	
Switches	Electrostatic Switches	With
Paddle Shifters	With	Without
Wireless Charger	With	
Ceiling Illumination	64-Color Roof Illumination	
Smart Entry and Start System	With	
Inside Rear View Mirror	Digital Inner Mirror	
Roof & Window Sunshades	With Power Adjustable	
Panoramic View Monitor (PVM)	With	
Digital Video Recorder (DVR)	With (Front & Rear)	
Rear Seat Entertainment	14-inch	Without

SPECIFICATIONS.

VARIANT		Vellfire 2.5 HEV Executive Lounge	Vellfire 2.5
<b>INTERIOR</b>			
Seats	Material	Nappa Leather	Synthetic Leather
	Front Seats		
	Driver	8 way-Powered Seat with Memory Function	
	Passenger	4 way-Powered Seat	
	Seat Heated	With	
	Seat Ventilation	With	
	Rear 1st Row		
	Seats	Executive Lounge VIP Seat	Executive Power Seat
	Rear Remote	Control With Multi Operation Panel	Without
	Seat Adjuster	Relax Power Recline	With Power
	Armrest	With VIP Large Type	With
	Walk-in System	With Power and Manual	With Power Only
	Seat Massage	With	Without
	Seat Table	With Rotary Table & Vanity Mirror	With Side Table
	Seat Heater	With Armrest & Ottoman	With
	Seat Ventilation	With	
	Rear 2nd Row	50:50 Split with Space Up	
USB Type-C Ports		2x Front, 1x Console Box, 2x Rear 1st Row, 2x Rear 2nd Row	



Diagrams shown are for illustration purposes only.

SPECIFICATIONS .

VARIANT	Vellfire 2.5 HEV Executive Lounge	Vellfire 2.5
<b>SAFETY</b>		
Toyota Safety Sense	Pre-collision Warning (PCS)	With
	Dynamic Radar Cruise Control (DRCC)	With
	Lane Departure Alert (LDA)	With
	Lane Tracing Assist (LTA)	With
	Adaptive High-beam System (AHS)	With
	Road Sign Assist (RSA)	With
SRS Airbags		6
Anti-lock Braking System (ABS)		With
Vehicle Stability Control (VSC)		With
Hill-start Assist Control (HAC)		With
Electric Parking Brake (EPB) with Brake Hold		With
Blind Spot Monitor (BSM)		With Rear Cross Traffic Alert (RCTA)
Parking Sensors		With 4 Front and 4 Rear
Parking Support Brake (PKSB)		With
ISOFIX		With (Rear Seat)
Tyre Pressure Monitoring System (TPMS)		With
Seatbelts	Front	3-point ELR x 2 with Pretensioner & Force Limiter
	Rear 1st Row	3-point ELR x 2 with Force Limiter
	Rear 2nd Row	3-point ELR x 3
<b>SECURITY</b>		
Window Tint		Toyota Premium Security & Solar Film
Vehicle Telematics System (VTS)		Connectivity with Mobile Apps with Remote Engine Start**
Security System		With Immobiliser & Alarm

\*Functions availability may vary depending on smartphones. For details, please contact your nearest Toyota showroom.

\*\*Including 3 years Free Data Subscription



5 years warranty from the date of first registration with unlimited mileage. Terms and Conditions apply.



Energy Efficient Vehicle



- UMW Toyota Motor reserves the right to alter any details of specifications and equipment without notice.
- Details of specifications and equipment are also subject to change to suit local conditions and requirements.
- Vehicle and specifications in this catalogue may vary from models available locally. Vehicle body and accessory colours might differ slightly from the printed photos in this catalogue.
- All images are used for illustrative purposes.



## EXTERIOR

# THE TOYOTA ALPHARD.

The Alphard's unmistakable presence lies within its craftsmanship. Its distinctive front grille with chrome finishings has an instantly recognisable design, framed by full LED headlamps with sequential signal lamps, daytime running lamps (DRL) and cornering lamps for enhanced road visibility.

Actual vehicle may vary from image shown.

EXTERIOR

THE ART OF UNDERSTATED LUXURY.

The Alphard's iconic silhouette is a vision of sophisticated beauty, with sleek lines and sculpted contours that captivate the eye. Step into a world of refinement through the quiet sliding doors at a simple press of a button.



Actual vehicle may vary from image shown.

EXTERIOR  
EFFORTLESSLY POISED.  
EXQUISITELY DESIGNED.

A blend of elegance and performance, from its build right to the rims. The 19" alloy wheels provide a smooth ride and stunning visual appeal while the powered back door switch located at the rear lights grants you convenient access for easy storage.



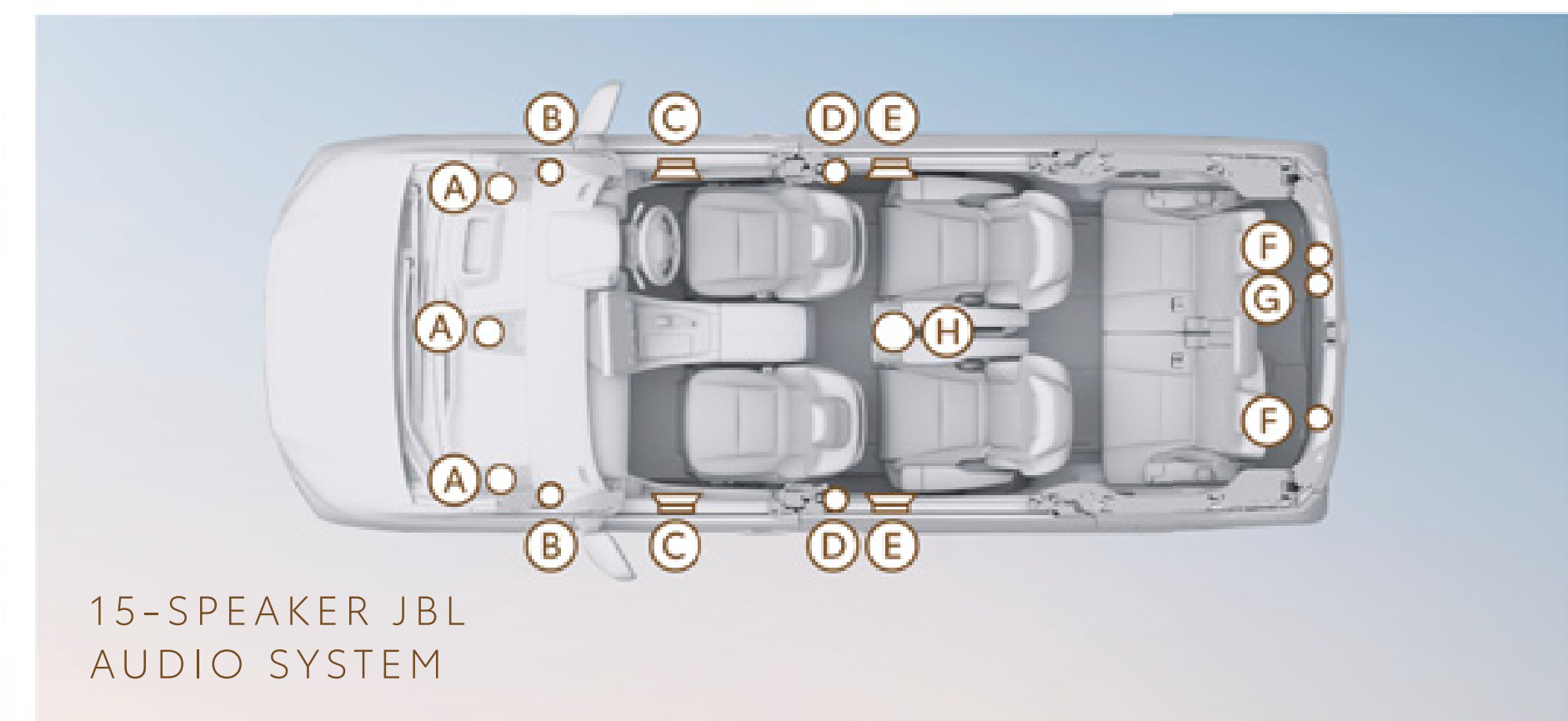
Actual vehicle may vary from image shown.

# INTERIOR PRESTIGE OF PURE CONTROL.

Be in full command of your domain, designed to make driving intuitive with every control positioned within easy reach. The new head-up display (HUD) projects essential information directly in your line of sight while the 14" display audio with navigation and 15-speaker JBL audio system redefines seamless navigation and in-car entertainment, bringing your drive to new heights.



Actual vehicle may vary from image shown.



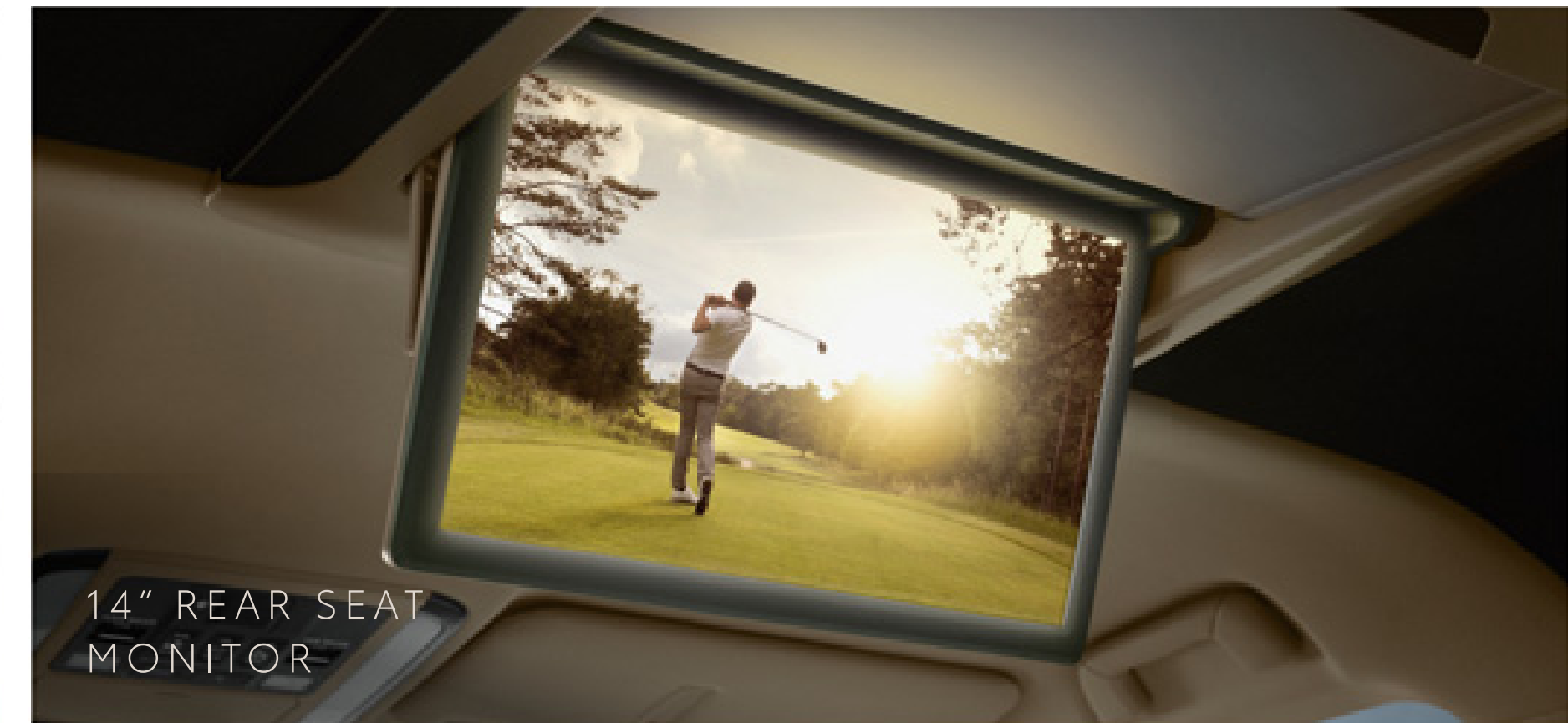
INTERIOR  
A SILENT RETREAT.

Experience the luxury of absolute privacy within the secluded sanctuary of the Alphard, from modern Nappa leather and woodgrain furnishings and a 14" rear seat monitor display, to sophisticated 64-colour roof illumination.

Bathe in natural light streaming through the fixed panoramic glass roof and enjoy the thoughtful convenience of powered window sunshades. Within the Alphard, you will discover a tranquil haven that is yours alone.



Actual vehicle may vary from image shown.



14" REAR SEAT  
MONITOR



POWERED WINDOW  
SUNSHADES

## INTERIOR DESIRE FOR ELEGANCE.

Every material and detail testifies to the highest of quality. Indulge in premium Nappa genuine leather seats that come with massage, seat heater and ventilation functions, and equipped with an anti-vibration structure in the cushion frame to enhance passenger comfort.

# INTERIOR PERFECTION IN EVERY INTRICACY.

Whether for work or leisure, the retractable rotary table equipped at the second row seats provides a platform for all your needs. Elevate your experience and adjust settings to your own preference with the remote control on the outer seat compartment, using its sleek digital interface with ease.



Actual vehicle may vary from image shown.



REMOTE  
CONTROLLERS

PERFORMANCE

MASTERFULLY PERFORMING.

From sheer comfort to precise control, the Alphard excels at delivering seamless performance for the most enjoyable rides.



**2.4L TURBOCHARGER ENGINE**  
16-valve DOHC with Turbocharger, intercooler and 278PS & 430Nm of Torque.

Actual vehicle may vary from image shown.



**DIRECT SHIFT 8-SPEED AUTOMATIC WITH SEQUENTIAL & PADDLE SHIFTERS**  
Excellent transmission efficiency and power performance for smooth acceleration, serving to improve drivability, quietness and fuel efficiency.



**NEW TNGA PLATFORM**  
The adoption of Toyota New Global Architecture improving rigidity over previous generation models for more outstanding manoeuvrability and stability.

COLOUR  
ALPHARD  
COLOUR OPTIONS.

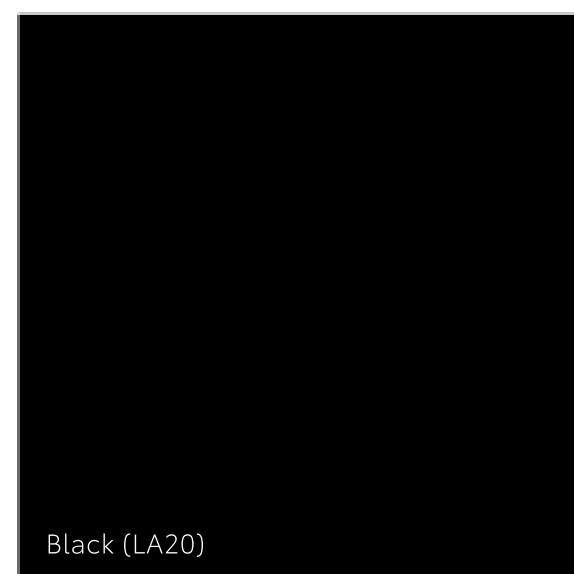


089 PLATINUM WHITE PEARL MC



1L5 PRECIOUS METAL

INTERIOR COLOUR OPTIONS



202 BLACK



4Y7 PRECIOUS LEO-BLOND

## SPECIFICATIONS.

VARIANT		Alphard 2.4T Executive Lounge	
<b>ENGINE</b>			
Model		T24A-FTS	
Type		In-line 4, 16-valve DOHC, Turbocharger and Intercooler with Dual VVT-i	
Displacement	cc	2,393	
Max. Output	kW (PS) / rpm	205 (278) / 6,000	
Max. Torque	Nm / rpm	430 / 1,700 - 3,600	
Top Speed	km / h	180	
Fuel Economy	Litre / 100km	9.0	
<b>TRANSMISSION</b>			
Type		Direct Shift 8-speed Automatic with Sequential Shiftmatic	
<b>CHASSIS</b>			
Suspension	Front / Rear	MacPherson Strut with Stabiliser / Double Wishbone with Stabilizer	
Brakes	Front / Rear	Ventilated Disc / Ventilated Disc	
Tyres & Rims		225 / 55 R19, Alloy	
Spare Tyre		Temporary Tyre (T165 / 80 D17)	
Steering		Electric Power Steering	
<b>DIMENSIONS &amp; WEIGHT</b>			
Overall	Length	mm	5,010
	Width	mm	1,850
	Height	mm	1,950
	Wheelbase	mm	3,000
Kerb Weight		kg	2,235
Gross Vehicle Weight		kg	2,760
Ground Clearance		mm	158
Fuel Tank Capacity		Litre / 100km	75
Min. Turning Radius		m	5.9

VARIANT		Alphard 2.4T Executive Lounge	
<b>EXTERIOR</b>			
Headlamps		Tri-LED Headlamps with Sequential Signal Lamp, Cornering Lamps and Daytime Running Lights	
Sequential Turn Signal Lamps		With Front & Rear	
LED Fog Lamps		With Front & Rear	
Rear Combination Lamp		With LED	
Outside Rear View Mirror		Auto Power Foldable, Memory, Blind Spot Monitoring, Heater and Signal Lamp	
Fixed Panoramic Glass Roof		With	
Front Windshield Wiper		Auto with Rain Sensor	
<b>INTERIOR</b>			
Auto Stop & Start System		With	
Drive Mode		With ECO Drive Mode	
Steering	Type	Leather & Wood Grain with Heater	
	Tilt and Telescopic Adjustable	Power Adjustable with Position Memory Function	
	Switches	Electrostatic Switches	
	Paddle Shift	With	
Head Up Display (HUD)		With	
Multi Information Display (MID)		12.3-inch Full Color TFT	
Audio System	Type	14" Display Audio with Navigation, Apple CarPlay® & Android Auto™ Connectivity	
	Speaker	15 JBL Speakers System	
Wireless Charger		With	
Ceiling Illumination		64-Color Roof Illumination	
Smart Entry and Start System		With	
Inside Rear View Mirror		Digital Inner Mirror	
Roof & Window Sunshades		With Power Adjustable	
Panoramic View Monitor (PVM)		With	
Digital Video Recorder (DVR)		With Front & Rear	

# SPECIFICATIONS.

VARIANT		Alphard 2.4T Executive Lounge	
<b>INTERIOR</b>			
Power Sliding Door		With Quiet Sliding Door	
Air-conditioning		Front and Rear: Auto with Both Nanoe™ X	
Seats	Material	Premium Nappa Leather	
	Front Seats	Driver	8 Way-Powered Seat with Memory Function
		Passenger	4 Way-Powered Seat
	Rear 1st Row	Seat Heater	With
		Seat Ventilation	With
		Seats	Executive Lounge VIP Seat
		Rear Remote Control	With Multi Operation Panel
		Seat Adjuster	Relax Power Recline
		Armrest	With VIP Large Type
		Walk-in System	With Power and Manual
		Seat Massage	With
	Rear 2nd Row	Seat Table	With Rotary Table & Vanity Mirror
		Seat Heater	With Armrest & Ottoman
		Seat Ventilation	With
		Ottoman	With
		50:50 Split with Space Up	
Rear Seat Entertainment		14-inch Rear Seat Display	
USB Type-C Ports	Front	2	
	Console Box	1	
	Rear 1st Row Seat	2	
	Rear 2nd Row	2	

VARIANT		Alphard 2.4T Executive Lounge	
<b>SAFETY</b>			
Toyota Safety Sense	Pre-collision System (PCS)	With	
	Lane Departure Alert (LDA)	With	
	Dynamic Radar Cruise Control (DRCC)	With Lane Tracing Assist (LTA)	
	Road Sign Assist (RSA)	With	
	Adaptive High-beam System (AHS)	With	
	Anti-lock Braking System (ABS), Vehicle Stability Control (VSC), Electric Parking Brake (EPB) with Brake Hold, Hill-start Assist Control (HAC)		With
	Electronic Brake-force Distribution (EBD)		With
Blind Spot Monitor (BSM) with Rear Cross Traffic Alert (RCTA)		With	
Parking Support Brake (PKSB)		With	
Parking Sensors		With 4 Front and 4 Rear	
Tyre Pressure Monitoring System (TPMS)		With	
SRS Airbags		6	
Seatbelts	Front	3-point ELR x 2 with Pretensioner & Force Limiter	
	Rear 1st Row	3-point ELR x 2 with Force Limiter	
	Rear 2nd Row	3-point ELR x 3	
ISOFIX		With	
<b>SECURITY</b>			
Security System		Immobiliser & Alarm	
Toyota Premium Security & Solar Film		With	
Vehicle Telematics System (VTS)		Connectivity with Mobile Apps with Remote Engine Start**	

\*Functions availability may vary depending on smartphones. For details, please contact your nearest Toyota showroom.  
 \*\*Including 3 years Free Data Subscription

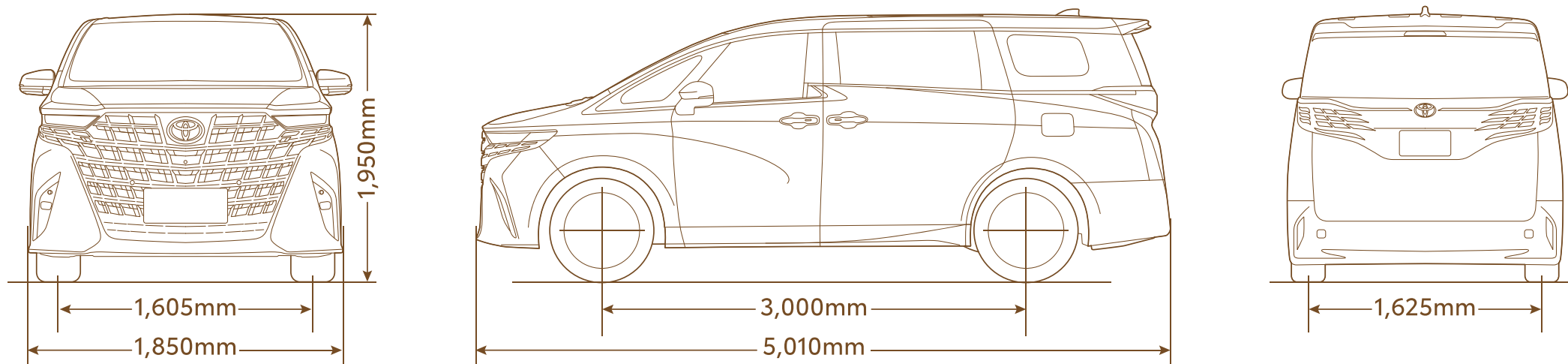
- UMW Toyota Motor reserves the right to alter any details of specifications and equipment without notice.
- Details of specifications and equipment are also subject to change to suit local conditions and requirements.
- Vehicle and specifications in this catalogue may vary from models available locally. Vehicle body and accessory colours might differ slightly from the printed photos in this catalogue.
- All images are used for illustrative purposes.



5 years warranty from the date of first registration with unlimited mileage. Terms and Conditions apply.



Energy Efficient Vehicle



Diagrams shown are for illustration purposes only.



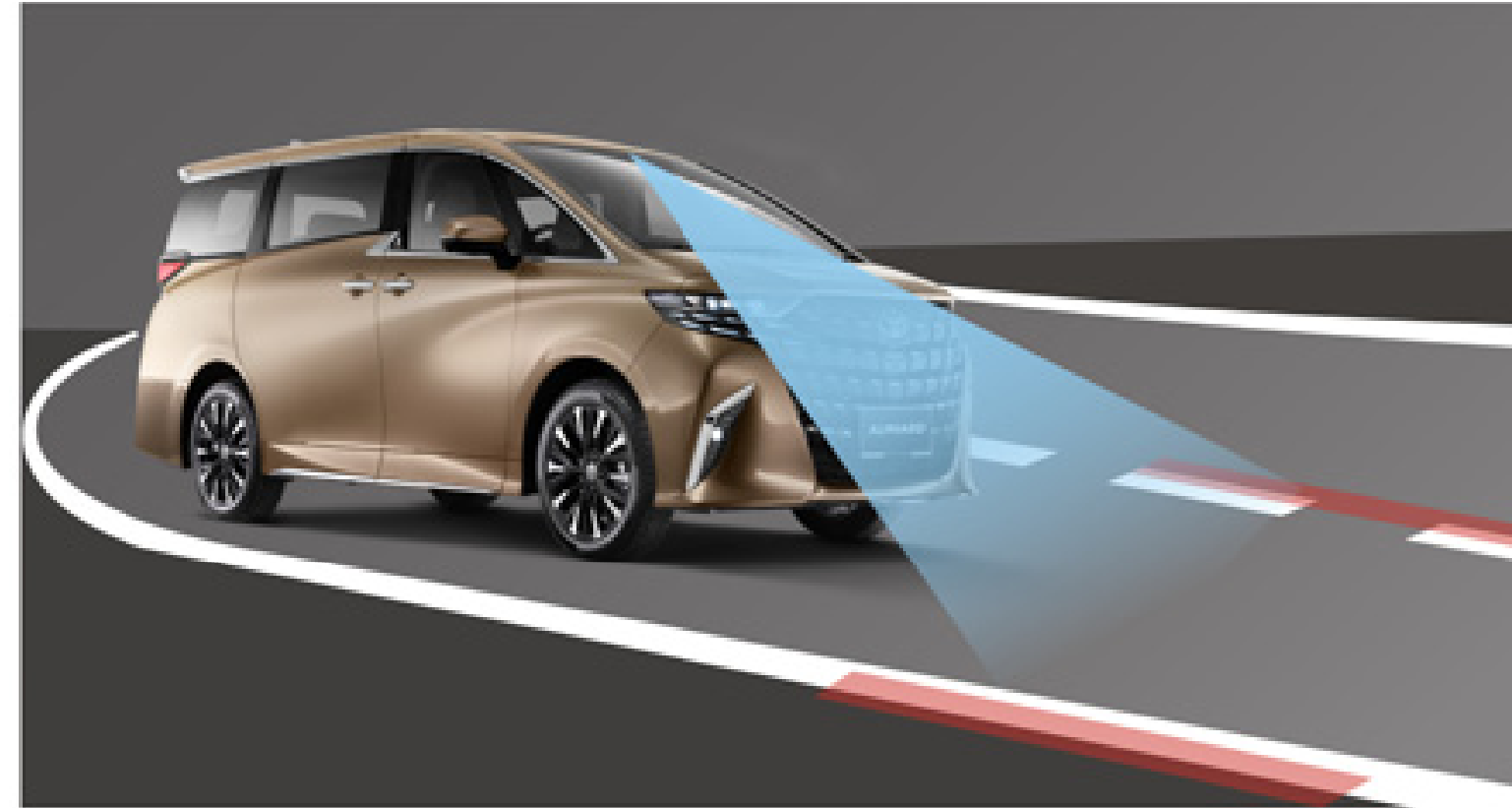
SAFETY  
TOYOTA SAFETY SENSE.  
TOYOTA ALPHARD & VELLFIRE.

A peace of mind comes standard with luxury. The Alphard and Vellfire are equipped with extensive safety features to ensure that you travel in comfort and confidence.

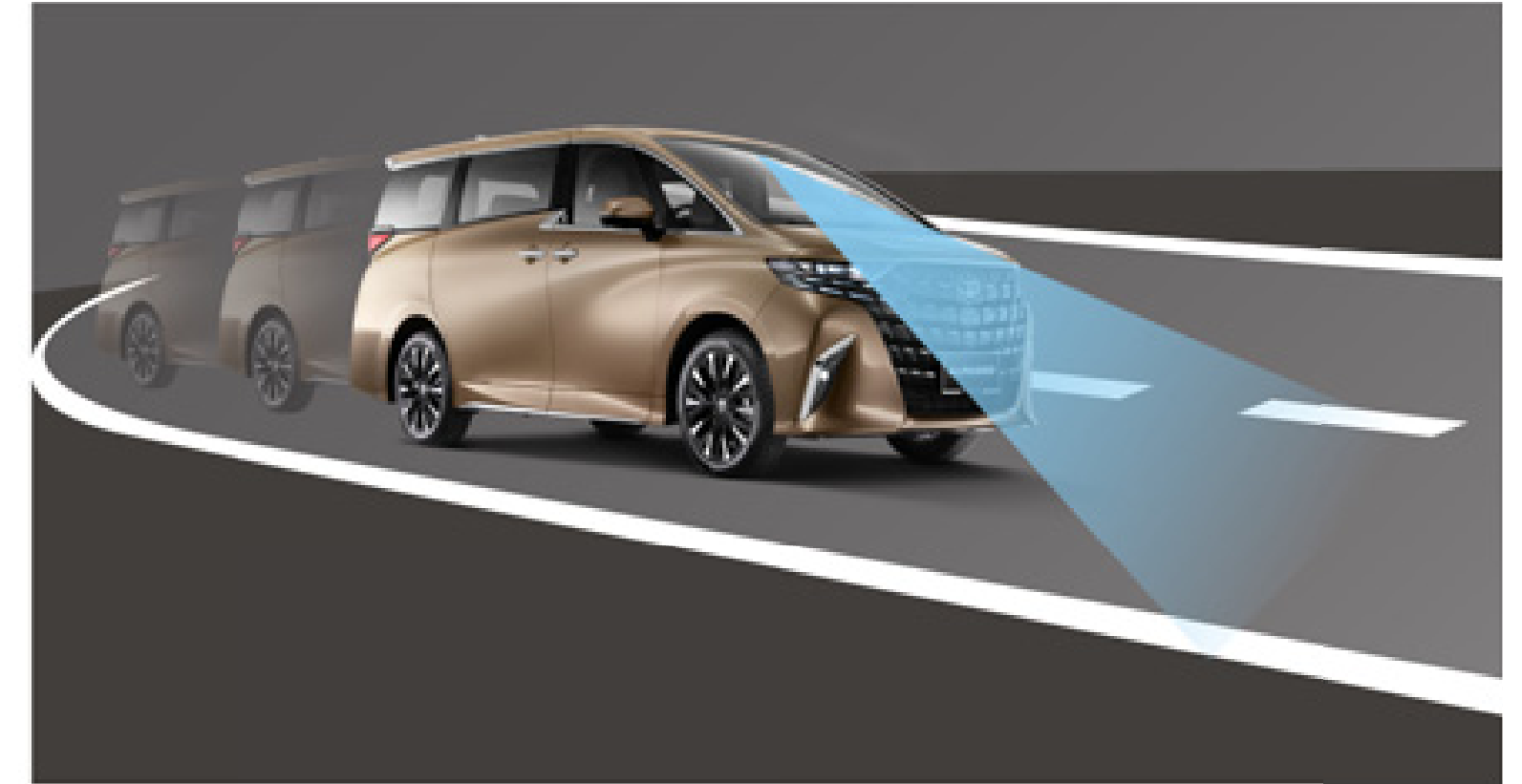
Actual vehicle may vary from image shown.



**PRE-COLLISION SYSTEM (PCS)**  
 Avoids or mitigates frontal collisions by alerting the driver and automatically applying the brakes when there is a risk of collision.



**LANE DEPARTURE ALERT (LDA)**  
 Alerts and assists when you are out of the lane unintentionally. Less swaying, smoother driving.



**LANE TRACING ALERT (LTA)**  
 Keeps the vehicle centred either by detecting the lane or the preceding vehicle.



**ROAD SIGN ASSIST (RSA)**  
 Monitors the road ahead, displaying information such as current speed limit and suggesting necessary adjustments.



**DYNAMIC RADAR CRUISE CONTROL (DRCC)  
 FULL SPEED RANGE**  
 Maintains a safe distance with preceding vehicle and brakes automatically when the car ahead stops.



**ADAPTIVE HIGH BEAM SYSTEM (AHS)**  
 Automatically adjusts the auto high beam headlight distribution to not illuminate directly on oncoming vehicles.

SAFETY.

PARKING ASSISTS.



BLIND SPOT MONITOR SYSTEM (BSM)

Actual vehicle may vary from image shown.



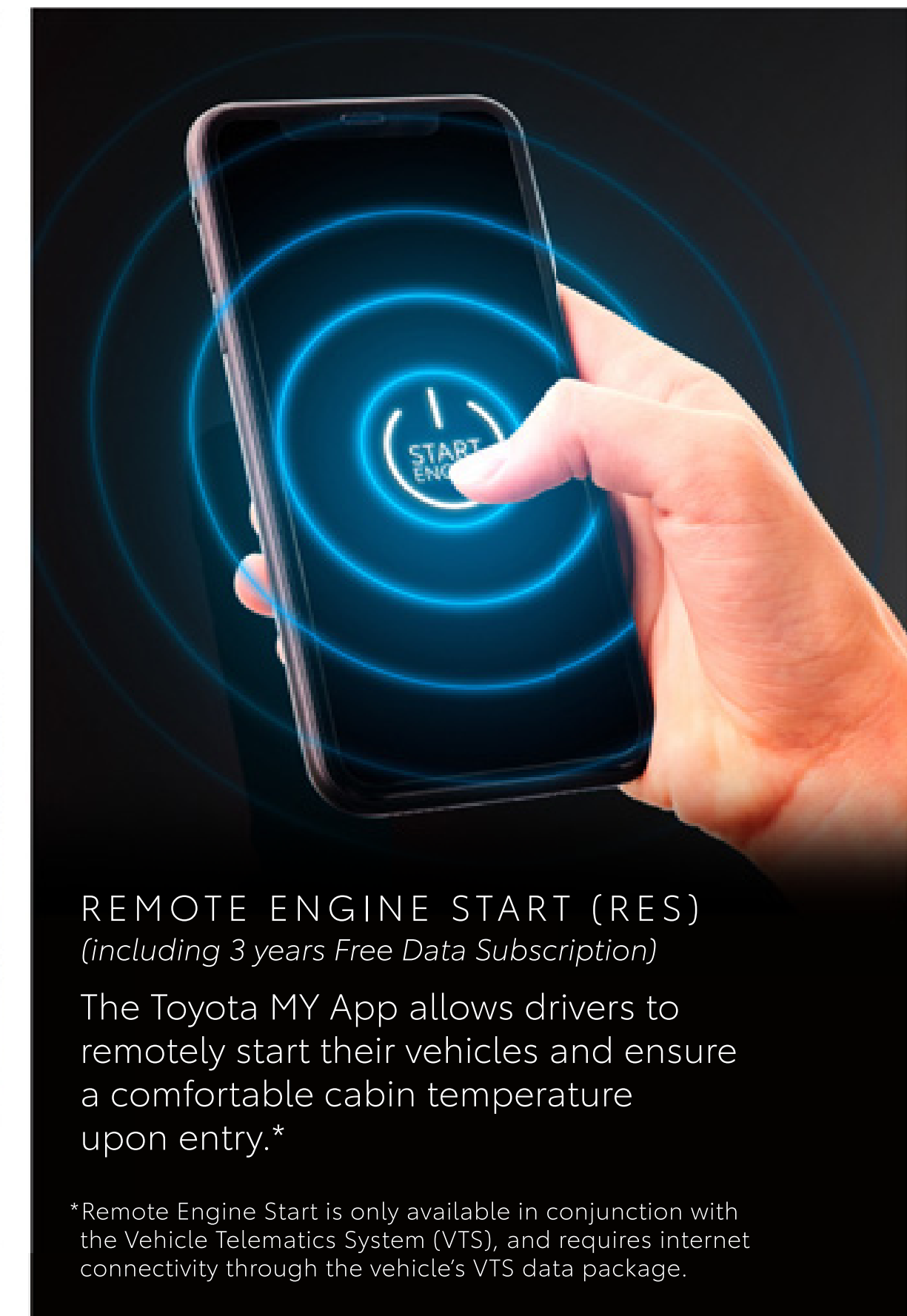
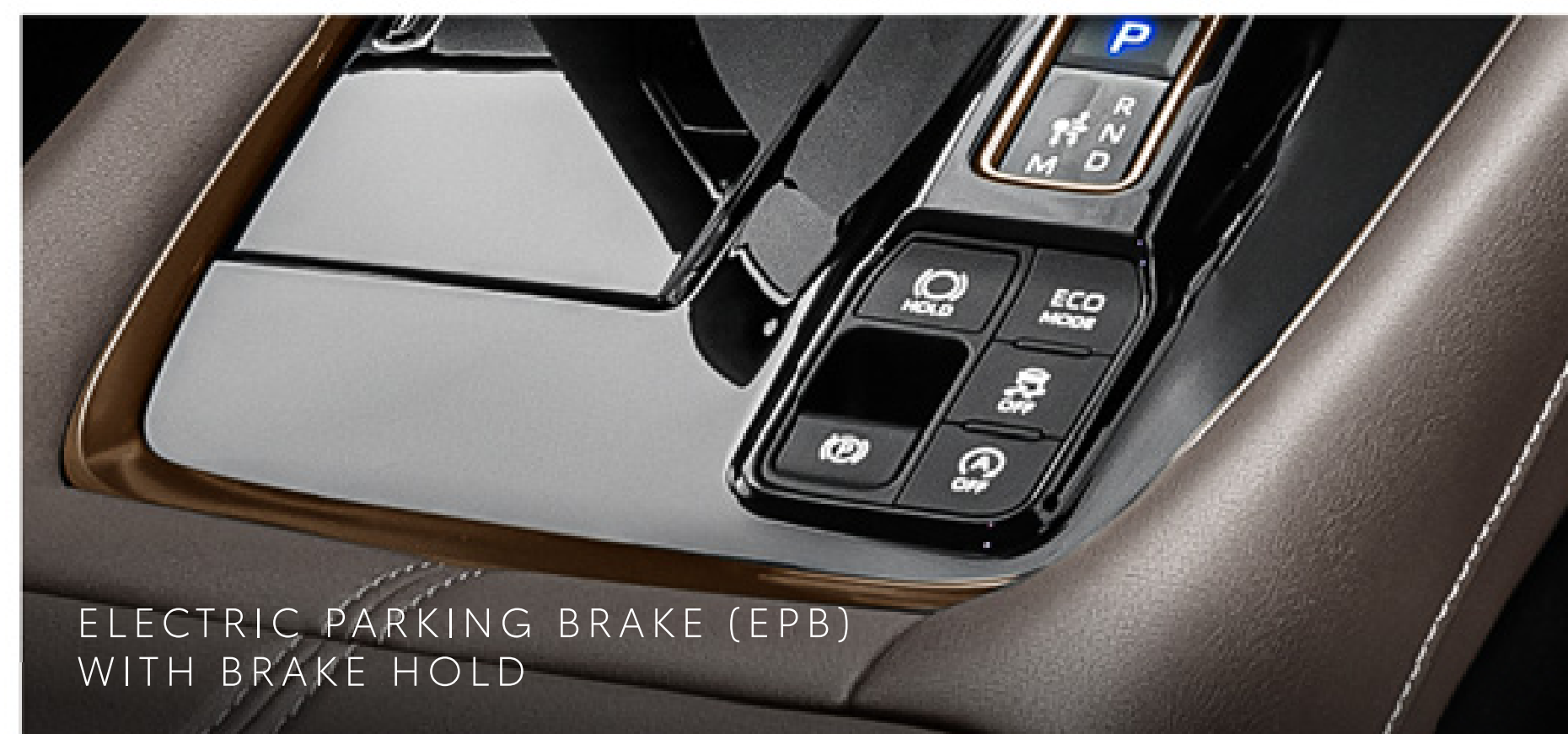
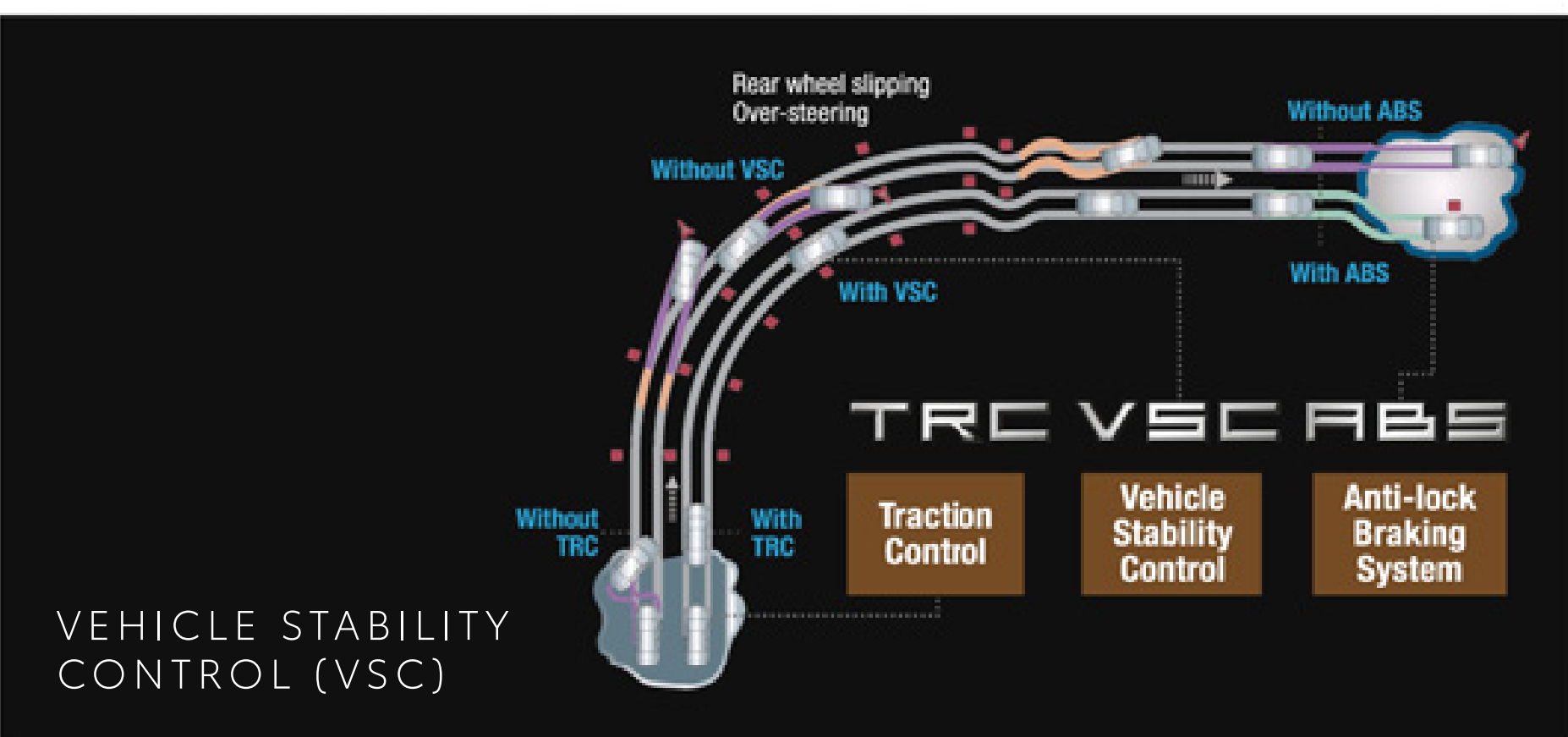
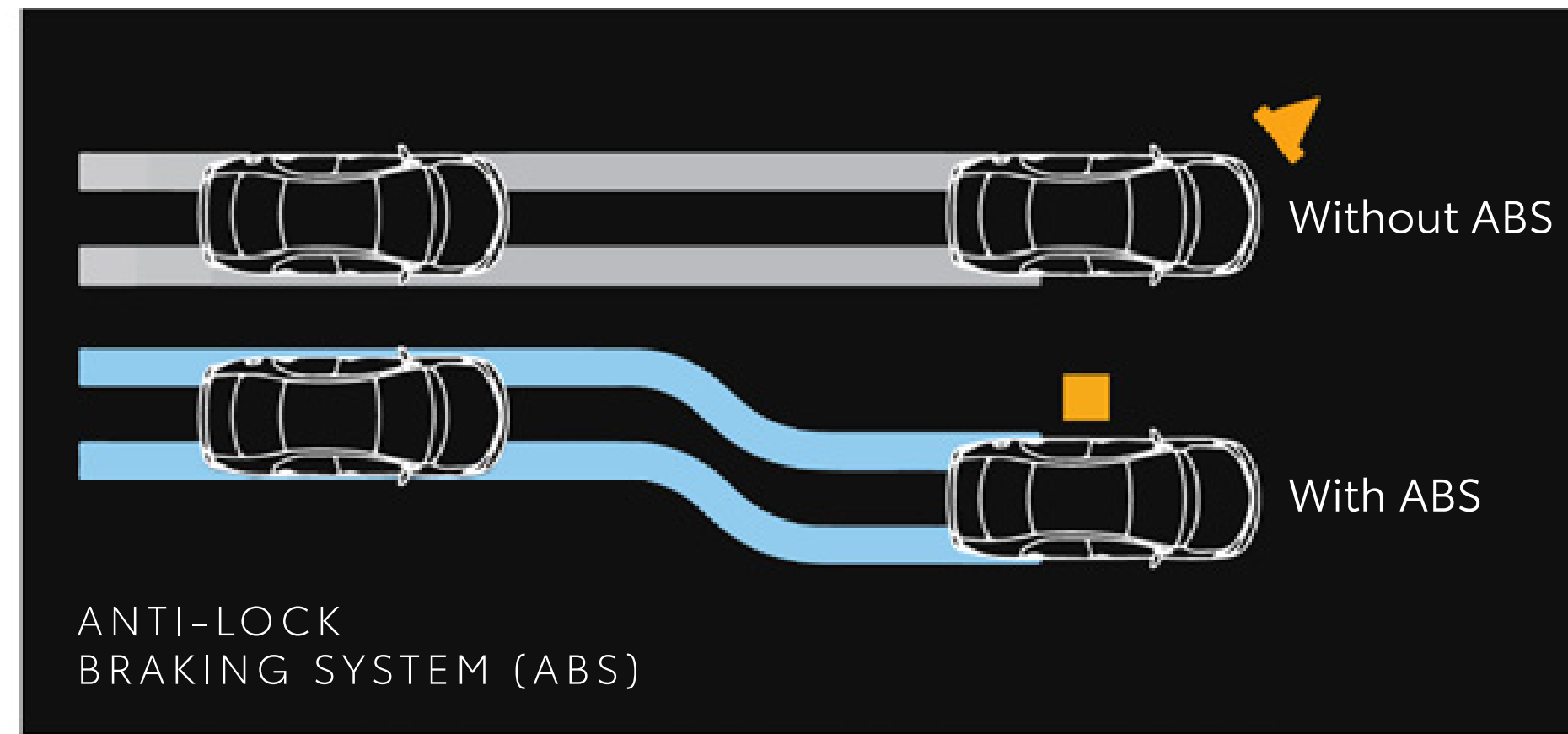
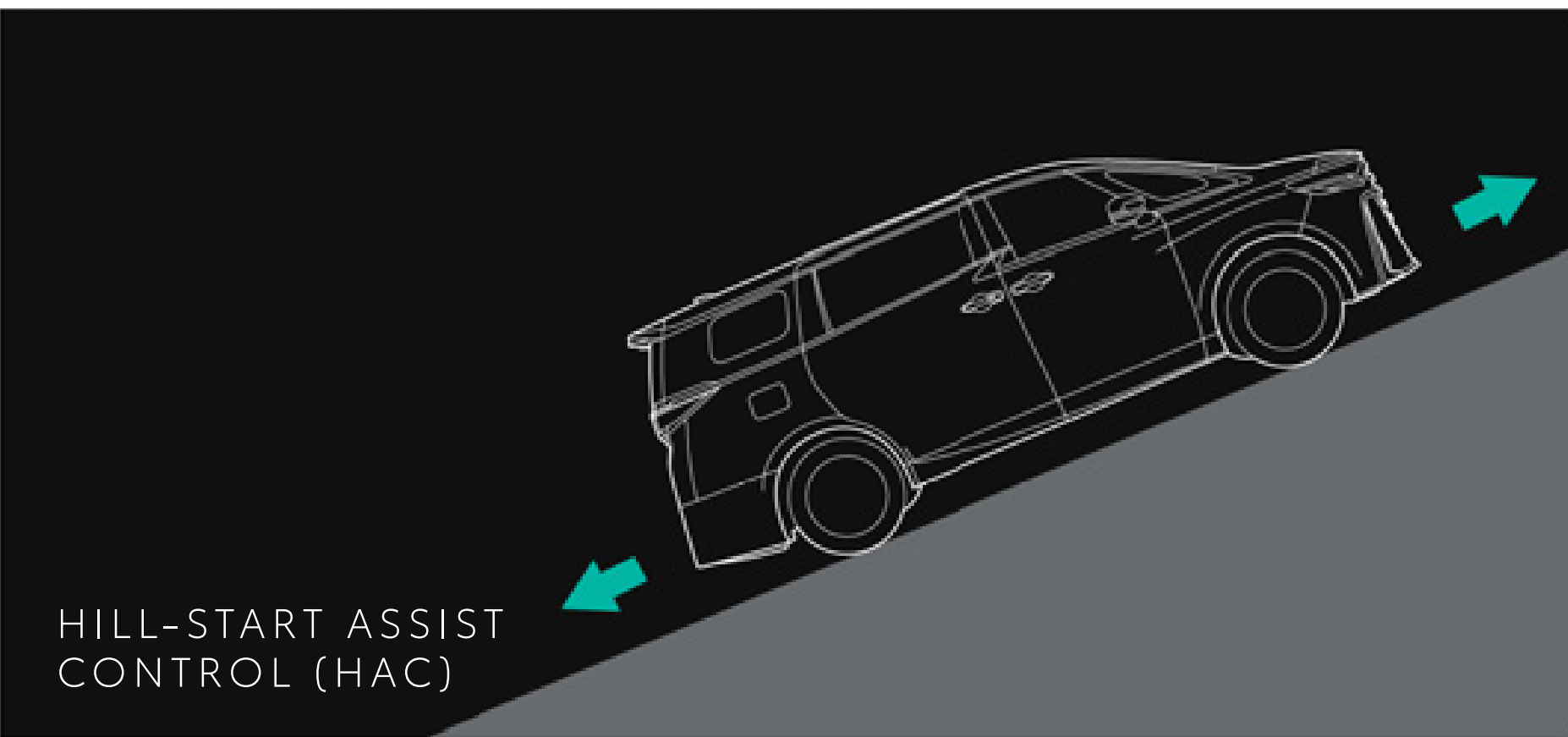
PANORAMIC VIEW MONITOR



6 SRS AIRBAGS

P A R K I N G   A S S I S T S .

Actual vehicle may vary from image shown.



# TOYOTA EXTRA MILE.

Toyota prides itself in keeping its cars longer on the road. But beyond its legendary legacy of durability and reliability is the commitment to go the extra mile for every customer.

From holistic car maintenance assistance services, simpler ownership cost management, and much more, our comprehensive network of services and facilities across Malaysia makes every Toyota ownership more convenient than ever.

We are more than just an automobile company. We are a mobility company committed to 'Move Your World'.

## **TOYOTA** EXTENSIVE SALES & SERVICE NETWORK NATIONWIDE

Conveniently located for easy accessibility to quality service and genuine parts.

## **Loyal-T** TOYOTA

Rewards you for every transaction you make at Toyota. Redeem service vouchers and other exclusive merchandise.

## **Financial Packages** TOYOTA

Selection of financing choices to fit your needs and lifestyle.

## **Maxcheck** TOYOTA

All inclusive and comprehensive periodic maintenance checks and schedules.

## **Insurance Package** TOYOTA

Specially tailored to Toyota owners with exclusive benefits and privileges.

## **Service Savers** TOYOTA

Makes keeping your new Toyota running at its best easy and even more affordable. Choose from 2, 3 or 5 year service packages.

## **247 Road Assist** TOYOTA

Dedicated roadside assistance, 24 hours a day, seven days a week. With FREE minor on-the-spot repairs and towing.

## **Genuine Parts** TOYOTA

Made to Toyota's exacting standards for guaranteed quality, reliability, and durability, that's readily available nationwide.



*Move your world*